



TPP Tissue Culture Tube 20 cm² Surface Activated Area



TPP tissue culture tubes # 91106 (Fig. 1) are designed for the manual cultivation and expansion of cells and tissues. To promote optimal cell adhesion and proliferation, the inner surface is opto-mechanically treated over the distal 70 mm from the tip, yielding an effective growth area of approximately 20 cm².

These tubes are intended for use with tube roller incubators or comparable systems that enable the cultivation of adherent cells under continuous rolling conditions.

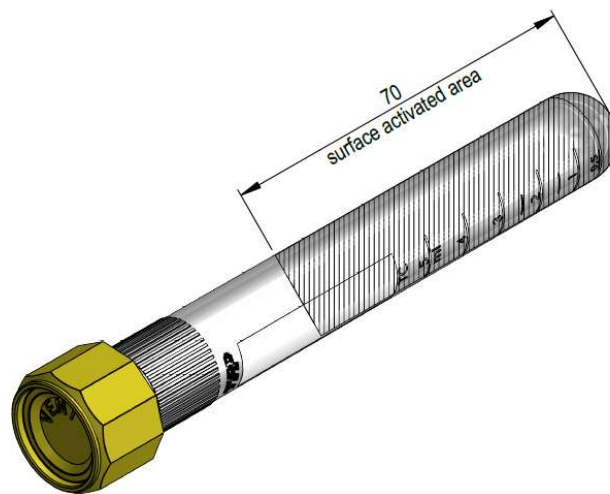


Figure 1. TPP tissue culture tubes (# 91106, 20 cm²) are available with VENT screw caps.

- For gas exchange, tighten the VENT screw cap until it clicks into the VENT position.
- To stop gas exchange, turn the cap an additional ¼ turn clockwise beyond the vent position. The tube is then sealed, prevented gas exchange.
- During transport or handling of the tube within the laboratory, TPP recommends keeping the VENT screw cap tightly closed.

Note: The graduation marks are intended only as a guide for approximate filling volume and do not represent precise measurement values.

Note: When the VENT cap is set to the VENT position, it permits gas exchange and does not provide a leak-tight seal.



Filling Volumes

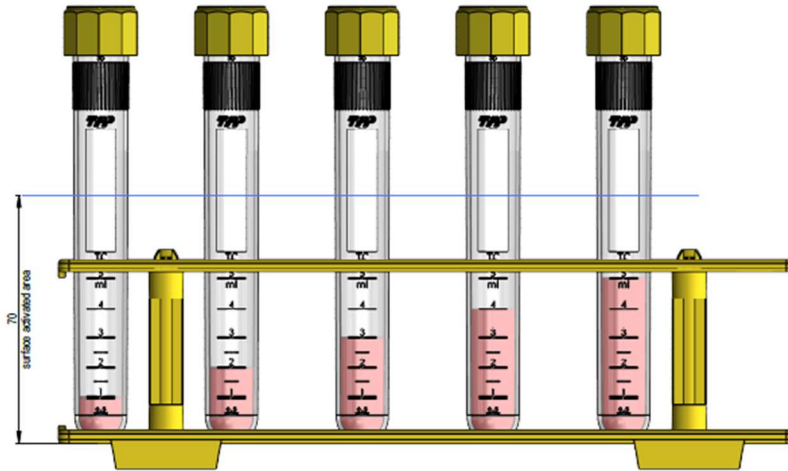


Figure 2. Filling scheme of the test tubes (1 – 5 ml) in vertical orientation.

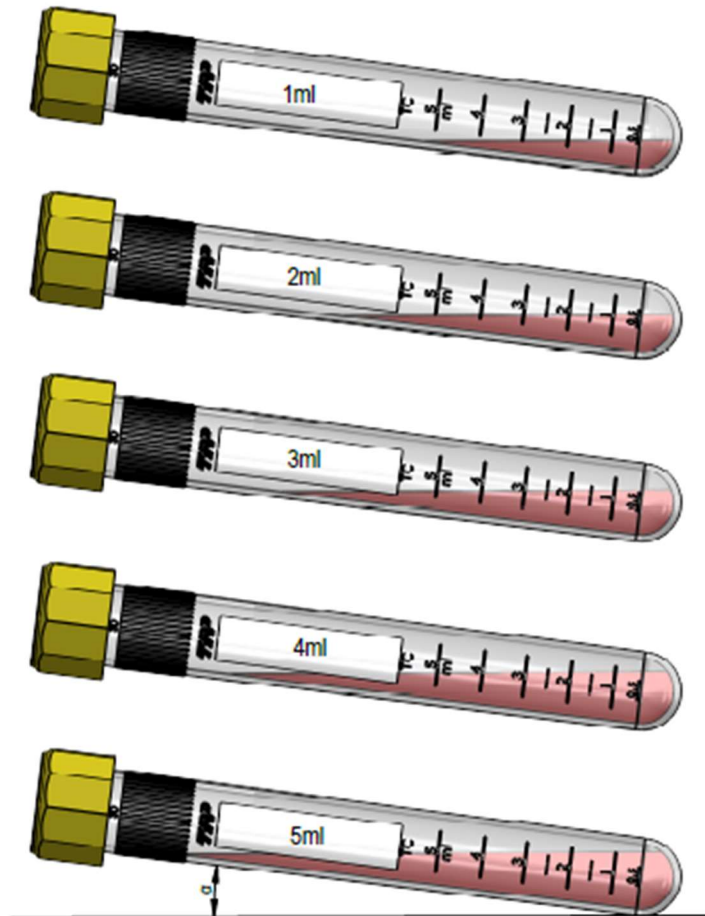


Figure 3. Surface area coverage at a defined tilt angle α relative to fill level.



Recommended Filling volume Tissue Culture Tube

Product No.	Version	Growth Area cm ²	Recommended volume mL	Volume Graduation mL
91106	VENT	20	1-3	10

Technical Data

Component	Material
Tube	Polystyrene (PS)
Screw cap	Polyethylene (PE)
Membrane	Polytetrafluoroethylene (PTFE), Pore size 22 µm

Measurement	91106
Length mm	105
Diameter mm	30
Growth area cm ²	20
Recom. volume mL	1-3
Volume graduation mL	5
Max. RCF x g	1'200
Form	Round
Screw cap	VENT

Disclaimer

TPP products are intended for Research Use Only (RUO) and are not approved for clinical, diagnostic, or in vitro fertilization (IVF) applications. The full Terms & Conditions, including limitations of warranty and liability, intended use, and reseller obligations, are available at:

https://www.tpp.ch/page/qualitaets_sicherung/index.php

Distributors who purchase and distribute TPP products acknowledge and agree to these Terms & Conditions and the associated disclaimer.