



Instruction for Use TPP Racks and Boxes



The racks and boxes are made of robust, heat-resistant and autoclavable plastic, making them the ideal solution for the handling and storage of your cell culture and centrifuge vessels in demanding laboratory environments.

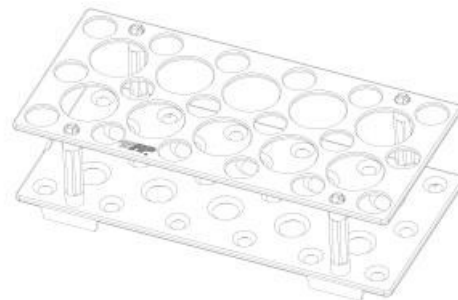
Precise organization is guaranteed by alphanumeric markings for error-free sample management. The portfolio is complemented by specialized solutions, such as customized racks for flat tubes and TubeSpin® Bioreactors, as well as cryo racks designed for convenient one-handed operation.

For maximum stability, non-slip rubber feet and integrated protective rims reliably prevent your valuable samples from sliding.

Rack “S” for Centrifuge Tubes # 99017 Rack “L” for Centrifuge Tubes # 99019 for 15 mL / 50 mL

TPP racks offer a sophisticated solution for the secure handling, storage, and processing of centrifuge tubes. Clear alphanumeric markings ensure a constant overview of your samples, while the lightweight, ergonomic design provides comfortable support for daily laboratory routine.

The racks can be easily disassembled for autoclaving. The practical click system allows for rapid assembly and disassembly, facilitates space-saving storage, and ensures effortless tube removal thanks to burr-free entry holes.



Key Features:

- Identification: Alphanumeric coded
- Storage: Space-saving, as it can be quickly dismantled

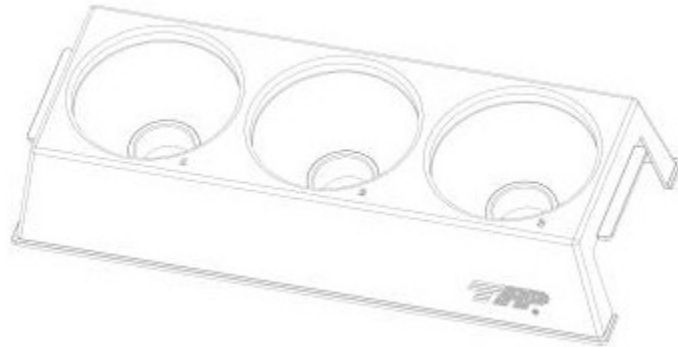
Capacity:

- Rack “S”: 18 x 15 mL and 10 x 50 mL
- Rack “L”: 30 x 15 mL and 20 x 50 mL
- Sterilization: Autoclavable for safe laboratory use



Rack for Large TPP Bioreactors # 99013 (450 mL / 600 mL)

The TPP rack for the TubeSpin® Bioreactor 450 / 600 enables the secure storage of up to three vessels, keeping them stable and upright during experiments while ensuring clear organization.



Key Features:

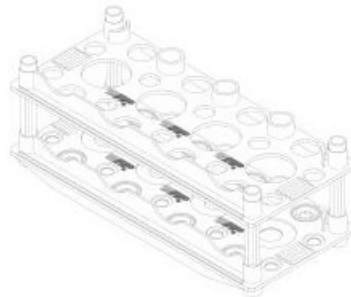
- Identification: Alphanumeric coded for easy tracking

Capacity:

- Holds 3 × TPP TubeSpin® Bioreactor 450 / 600
- Usage: Designed for storage only; not suitable for use in shakers
- Sterilization: Autoclavable for safe laboratory use.

Rack for Tissue Culture Tube # 99018

For tissue culture flat tubes 10, the specialized rack offers additional benefits: a transparent top level for quick visual inspection and a protective rim that prevents horizontally stored tubes from sliding.



Key Features:

- Identification: Alphanumeric coded
- Storage: Space-saving, as it can be quickly dismantled
- Transparent top
- Including anti-slip protection for tissue culture flat tubes 10 cm² (# 91243)

Capacity:

- 8 x 91243 or 8 x 15 mL or 8 x 5 mL
- Sterilization: Autoclavable for safe laboratory use.



Cryobox "S" for Cryo Tubes, # 99015 (>2 mL) & Cryo Box "L" for Cryo Tubes # 99014 (>5 mL)

Made of polypropylene and designed for use at temperatures as low as -196 °C, TPP cryo boxes are ideally suited for sample storage in the freezer. Even after frequent use, the lids can be effortlessly removed and replaced with one hand. For cryo tubes larger than 4 mL, versions with extended lids are available.



Key Features:

- 9 x 9 dividers
- Identification: Black alphanumeric code on the bottom and rim of the box. Each position is clearly numbered and assigned.
- Transparent lid for easy identification of vials.

Compatibility:

- Fits most standard stainless-steel racks.
- Tube sizes held: Two lid sizes available ("S", "L"):
 - "S" fits tubes up to 2.0 mL
 - "L" fits tubes up to 5.0 mL
- Sterilization: Autoclavable for safe laboratory use

TPP Cryo Tube Rack # 99016

The TPP cryo rack with star-shaped inserts guarantees fast and secure one-handed operation in combination with star-footed TPP cryo tubes. The non-slip properties and pre-assembled rubber feet ensure stability and a secure grip.



Key Features:

- Locking system in the wells engages with the star-foot of all TPP cryo tubes, enabling one-handed operation.
- Excellent slip resistance.
- Pre-assembled rubber feet.
- Sterilization: Autoclavable for safe laboratory use



Technical Data

Measurements	99013	99017	99018	99019
Length mm	366	209	200	209
Width mm	146	98	88	172
Height mm	70	62	72	62
Tubes per rack	3	18	8 / 10	30
Material	Polypropylene (PP)			
Working temperature	+121 to -190 °C			
Autoclavable	Yes			

Measurements	99014	99015	99016
Type	Box	Box	Rack
Array	9 x 9	9 x 9	4 x 10
Tube capacity	81	81	40
Length mm	133	133	209
Width mm	133	133	109
Height incl. lid mm	95	45	24
Lid height mm	65	26	----
Size of tubes	>5 mL	>2 mL	all
Material	Polypropylene (PP)		
Working temperature	+121 to -196 °C		
Autoclavable	Yes		

Additional Information

Instructions for use, chemical resistance lists, and quality certificates for individual products can be downloaded from the TPP website at www.tpp.ch.

Disclaimer

TPP products are intended for Research Use Only (RUO) and are not approved for clinical, diagnostic, or in vitro fertilization (IVF) applications. The full Terms & Conditions, including limitations of warranty and liability, intended use, and reseller obligations, are available at:

https://www.tpp.ch/page/qualitaets_sicherung/index.php

Distributors who purchase and distribute TPP products acknowledge and agree to these Terms & Conditions and the associated disclaimer.