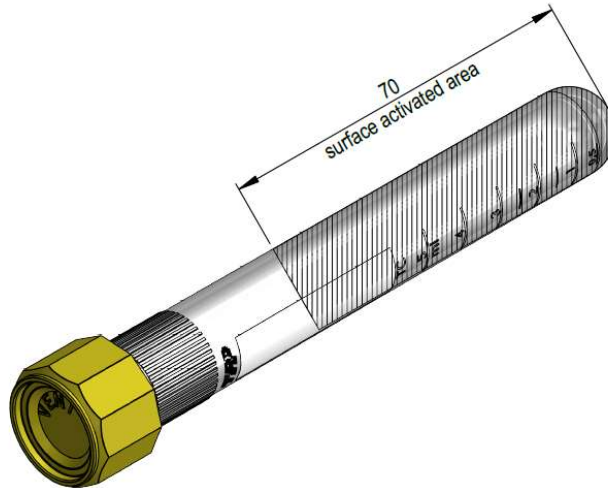




TechDoc for TPP Tissue Culture Tube 20 cm², # 91106 Surface Activated Area

TPP tissue culture tubes # 91106 are for manual cell/tissue cultivation and growth. For optimal cell adhesion and proliferation, the growth area is opto-mechanically activated from the tip 70 mm, resulting in a growth area of approximately 20 cm². Use the tubes on a tube roller incubator or similar equipment designed for cell culture of adherent cells in rolling motion.



91106, TPP tissue culture tubes 20 cm² are available with VENT screw caps.

- For gas exchange, tighten the VENT screw cap until you hear / feel it click into the VENT position.
- To stop the gas exchange, turn the cap a 1/4 turn clockwise beyond the venting position. The tube is now sealed and there is no gas exchange.
- When transferring the tube in the laboratory, TPP recommends that the VENT screw cap be closed tightly.
- The graduation is a reference for filling quantity and is not an absolute value.

Technical Data:

Materials

Tube	PS
Screw cap	PE
Membrane	PTFE, pore size 0.22 µm

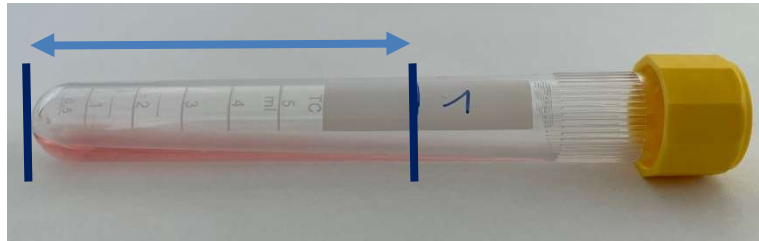
Measurement	91106
Length mm	105
Diameter mm	30
Treatment length mm	70 from tip
Growth area cm ²	~20
Recom. volume mL	1-3
Max. volume mL	13
Max. RCF x g	1'200
Form	round
Screw cap	VENT



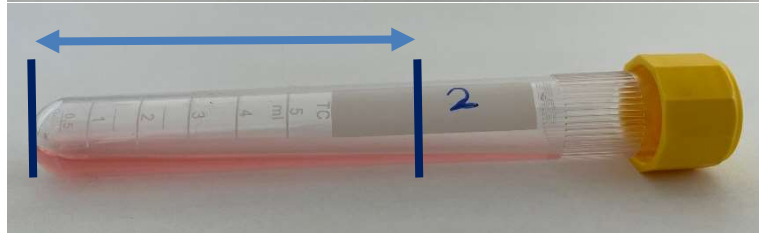
Filling Volume Examples



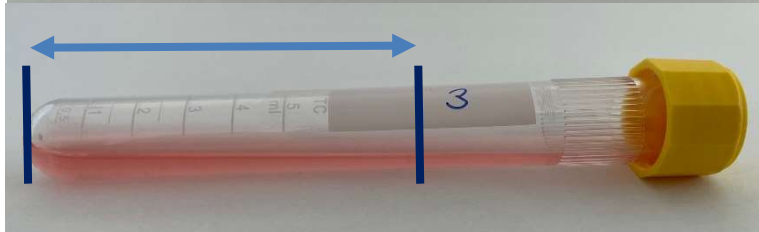
1 mL



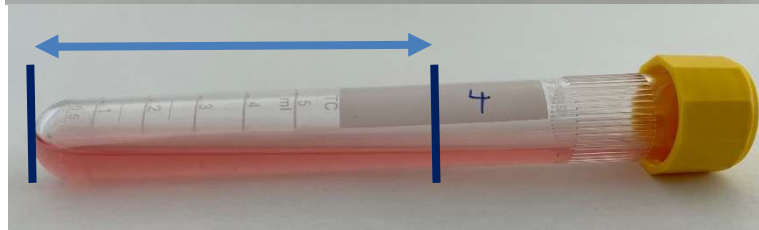
2 mL



3 mL



4 mL



5 mL

